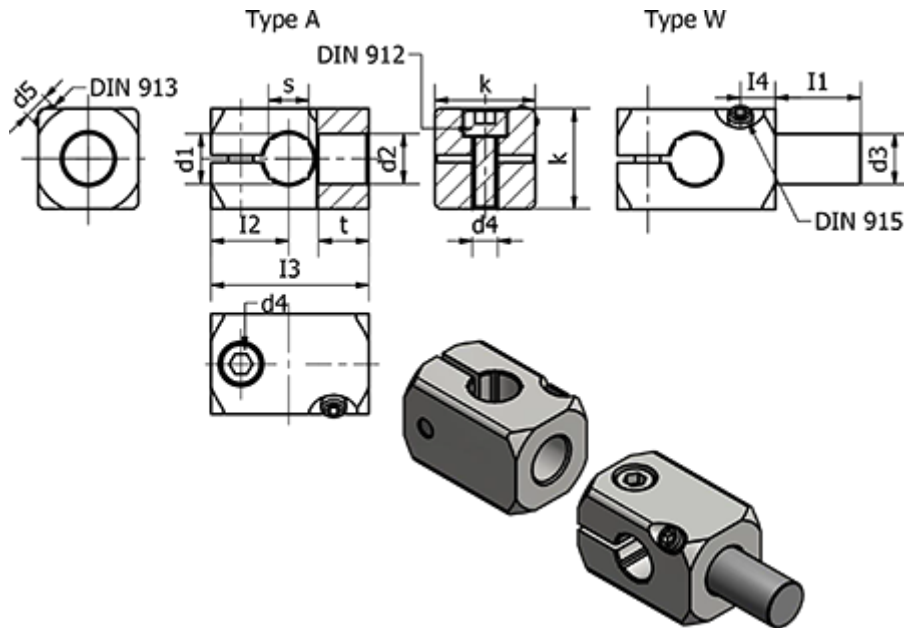


Article number: 20476B12B12AELS

Description: E+G T-clamp mounting - GN 476-B12-B12-A-ELS

Measures



Clamping kit for d4 = GN 511-M5-20	l3	= 35.5	
d1	= 12	l4	= 8
d2	= 12	k	= 20
d3	=	s	= 10
d4	= M5	t	= 12
d5	= M5	Weight (g)	= 28
l1	= 19		
l2	= 16.5		